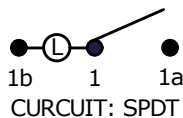


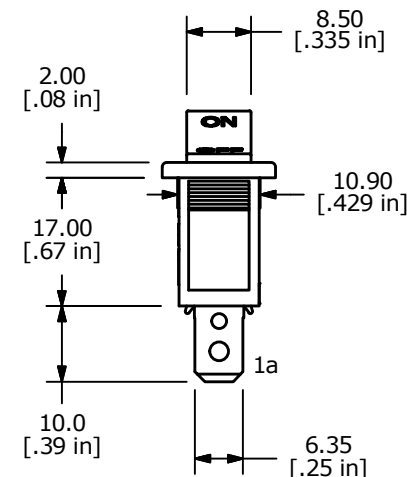
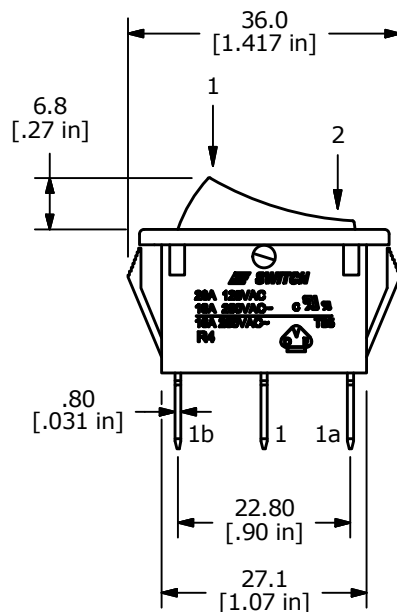
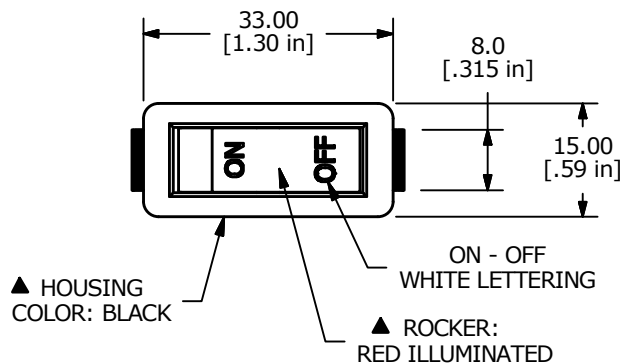
RECOMMENDED PANEL MOUNTING

PANEL THICKNESS	X ± 0.05
0.75-1.25	29.6-29.7
1.25-2.00	30.1-30.2
2.00-3.00	30.45-30.55

SWITCH FUNCTION	
POS. 1	POS. 2
ON	OFF
1-1a	OPEN



- NOTES:
- ALL DIMENSIONS IN MM [INCH]
 - GENERAL TOLERANCE: X.X = ± 0.4
X.XX = ± 0.25
 - TERM. NOS. FOR REF. ONLY
 - ▲ RATING: 20A 125VAC, 16A 250VAC UL APPROVED
16A 250VAC VDE APPROVED
 - ELECTRICAL LIFE: OVER 10,000 CYCLES
 - MECHANICAL LIFE: OVER 30,000 CYCLES
 - CONTACT RESISTANCE: <20 mΩ(INITIAL)
 - DIELECTRIC STRENGTH: >1500V 1 min
 - INSULATION RESISTANCE: >1,000 mΩ @ 500V DC
 - ▲ 10. LAMP VOLTAGE: 125V AC NEON BULB
 11. OPERATING TEMPERATURE: TERMINAL SIDE -20°C to 85°C
ROCKER SIDE -20°C to 55°C
 - ▲ DENOTES CRITICAL PARAMETER
 - 2002/95/EC (ROHS) COMPLIANT



TITLE R4JBLKRILIF1				
SCALE 1:1	DATE 5/23/2016	DR MW	DWG M041012	REV A

A	22315	RELEASED FOR PRODUCTION	5/24/16	MW
REV	PCR NO	DESCRIPTION	DATE	BY

THE INFORMATION CONTAINED IN THIS DOCUMENT IS PROPRIETARY TO E-SWITCH AND IS NOT TO BE COPIED OR TRANSFERRED